

IT6100 High Performance Programmable DC Power Supply



Applications

Aerospace power module testing, circuit board testing, medical equipment testing, electronic rectifier testing, etc.

Feature

- Linear programmable power supply
- High-light VFD display
- Lower ripple and lower noise
- Built-in 5 1/2 digital voltmeter
- Support SCPI communication protocol
- Optional GPIB/USB/RS232 interfaces
- High accuracy and high resolution
- PC monitoring software
- List mode operation, change output voltage and current quickly
- Suitable for 19" standard rack installation

Model	Voltage	Current	Power	Size
IT6151	5.2V	60A	312W	2U
IT6152	20V	27A	540W	2U
IT6153	30V	18A	540W	2U
IT6154	60V	9A	540W	2U

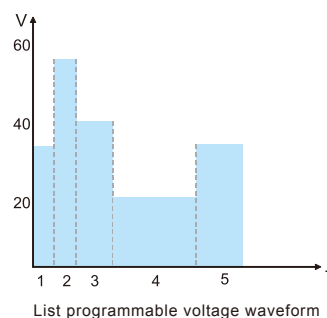
IT6100 series assure you accurate measurements with 0.1mV/0.1mA high resolution and high accuracy. With high-speed List mode output and voltage rise speed up to 20ms, it can independently edit and perform the default voltage waveform to meet the high-speed test needs. IT6100 series has built-in 5 1/2 digital voltmeter and milliohm meter, which can measure additional signals. IT6100 series supports SCPI communication protocol, GPIB/USB/RS232 interfaces are optional for customers.

IT6100 series power supply is designed to meet the test requirements that general supplies can not achieve. High-speed and high-precision features make production line capacity greatly improved, different from the conventional high speed power supply, IT6100 ensures low ripple and noise while meeting the high speed requirements.

Compared to the conventional power supply, IT6100 provides a lot of advanced and useful functions, including List mode output, built-in 5 digits voltmeter, ohmmeter and other functions.

Built-in precision voltage Ohmmeter 0.1mV / 0.1mA, users can measure output voltage and current values easily and accurately without complicated settings.

Using the standard SCPI communication protocol, engineers can use GPIB,USB or RS232 to do programming control. With 19 inches standard size, IT6100 series power supply is the most convenient DC power supply for laboratory and production line test.

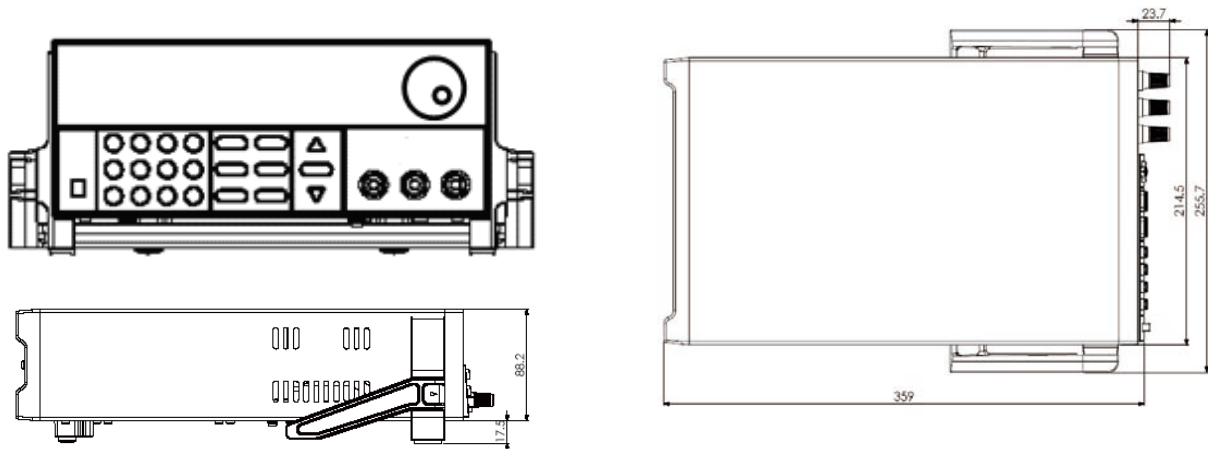


IT6100 Specifications

		IT6151	IT6152	IT6153	IT6154
Rated output (0~40 °C)	Voltage	0-5.2V	0-20V	0-30V	0-60V
	Current	0-60A	0-27A	0-18A	0-9A
	Power	312W	540W	540W	540W
Load regulation ±(%output+offset)	Voltage	<0.05%+30mV		<0.05%+20mV	<0.01%+10mV
	Current	<0.1%+10mA		<0.1%+5mA	<0.1%+2mA
Power regulation ±(%ofoutput+offset)	Voltage	<0.02%+1mV		<0.02%+1mV	<0.02%+2mV
	Current	<0.1%+1mA		<0.01%+1mA	<0.01%+0.1mA
Setpoint resolution	Voltage	0.1mV		0.5mV	0.5mV
	Current	1mA		1mA	1mA
Read back the value resolution	Voltage	0.1mV		0.1mV	0.5mV
	Current	1mA		0.1mA	1mA
Setpoint accuracy (Within 12 months)(25°C±5°C) ±(%of output+offset)	Voltage	0.02%+2mV		<0.02%+6mV	±0.02%+12mV
	Current	<0.1%+30mA		<0.1%+15mA	<0.05%+10mA
Read back the accuracy of the value ±(%of output+offset)	Voltage	0.02%+1.5mV		0.02%+3mV	0.02%+6mV
	Current	<0.05%+15mA		<0.05%+10mA	<0.05%+5mA
Ripple (20Hz-20MHz)	Voltage	4mVp-p		4mVp-p	5mVp-p
	Current	15mArms		5mArms	3mArms
Temperature Coefficient (0°C-40°C) ±(%of output+offset)	Voltage	0.02%+2mV		0.02%+5mV	0.02%+10mV
	Current	<0.1%+30mA		<0.1%+15mA	<0.05%+5mA
Read back the temperature coefficient of value	Voltage	0.02%+2mV		0.02%+5mV	0.02%+10mV
	Current	<0.1%+20mA		±0.05%+10mA	±0.05%+5mA
Response time	Set the voltage to rise	<20ms		<20ms	<20ms
	Set the voltage drop	<800ms		<500ms	<500ms
	Current dynamic load	<200us		<200us	<200us
Size (mm)	429mmW×88.2mmH×354.6mmD				

*This information is subject to change without notice

IT6100 Dimension figure



Unit: mm



CENTRAL
 C/ Francisco Medina y Mendoza
 Polígono 1, Parcela 1, Nave 55
 19171 - CABANILLAS DEL CAMPO (Guadalajara)
 Tel. 949 32 9337

setup@setup-electronica.es
www.setup-electronica.es

BARCELONA
 C/ Las Gracias, 11 (LA FLORESTA)
 08198 -SANT CUGAT DEL VALLÈS
 (Barcelona)
 Tel. 93 4140372